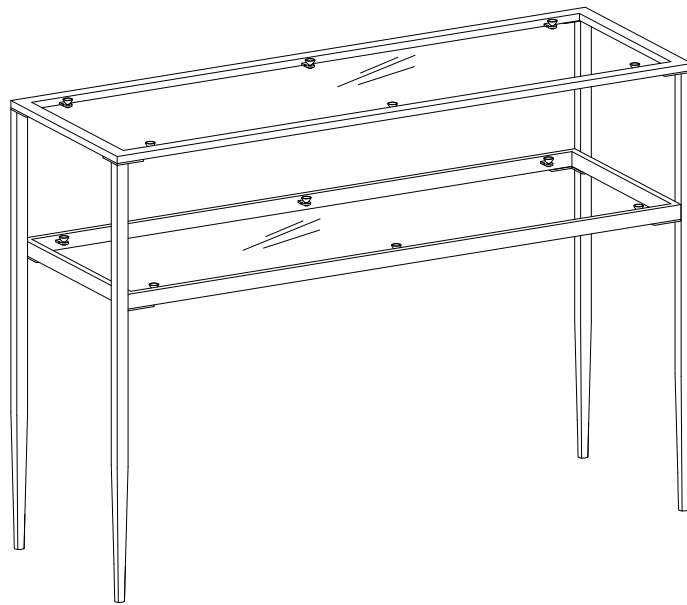
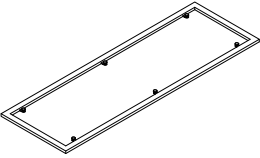
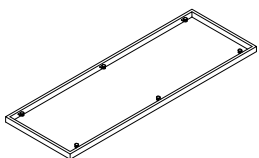
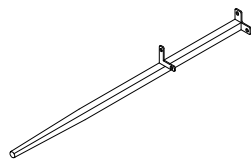
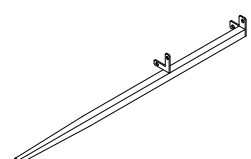
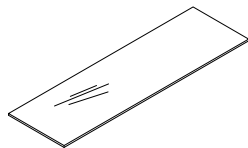
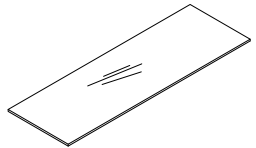




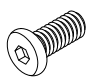


Console Table  
CF1330



# PART LIST

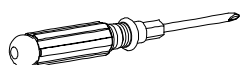
				
<p>Top Frame 1 PC</p>	<p>Shelf Frame 1 PC</p>	<p>C - Leg 2 PCS</p>	<p>D - Leg 2 PCS</p>	<p>Top Glass 1 PC</p>
				
<p>Shelf Glass 1 PC</p>				

# HARDWARE LIST

		
<p>1/4" x 1/2"L Bolt 16 PCS (Extra1)</p>	<p>Allen Wrench 1 PC</p>	<p>Safety Strap Kit 1 SET</p>

## ADDITIONAL TOOLS (Not Provided)

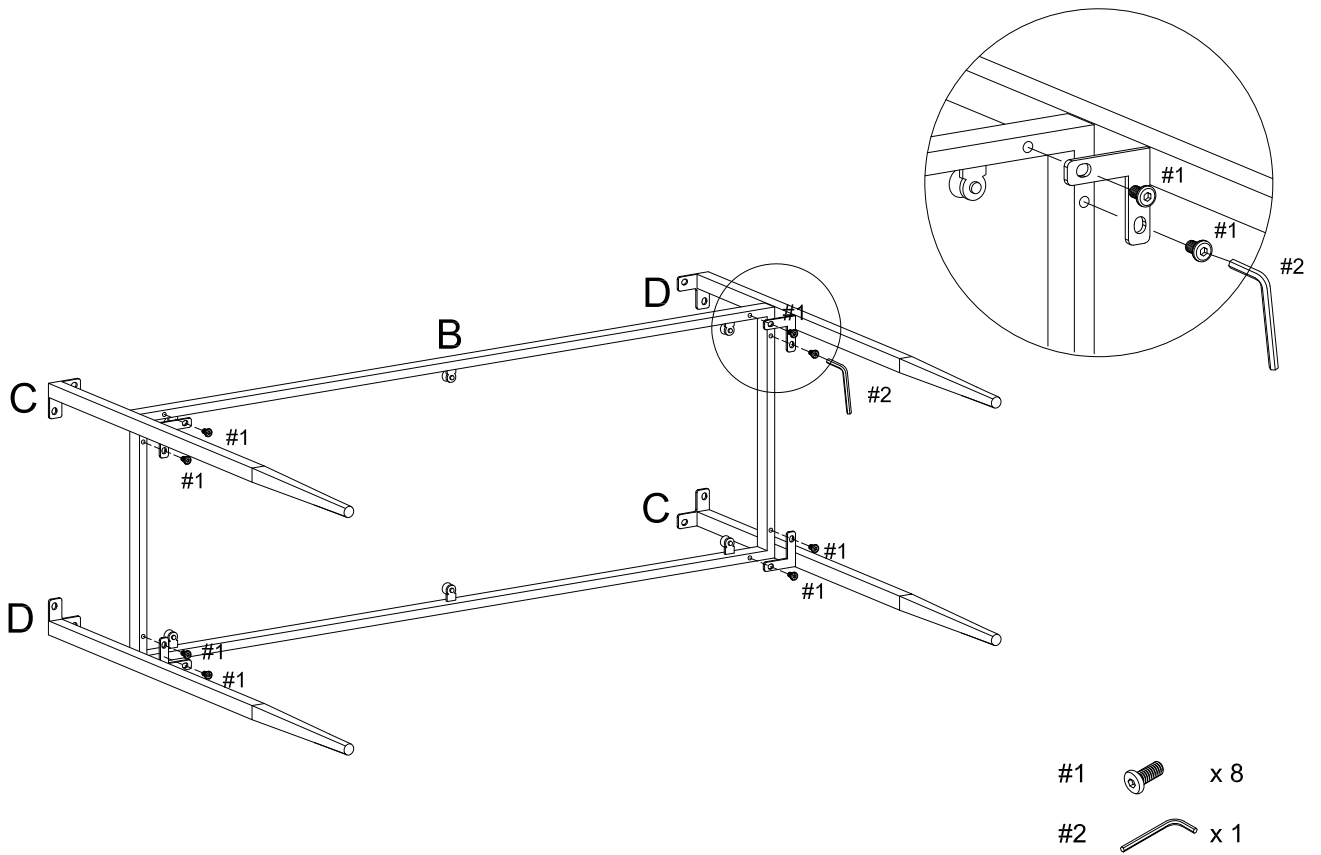
Note: It is not recommended to use power tools during assembly.



Phillips Head Screwdriver

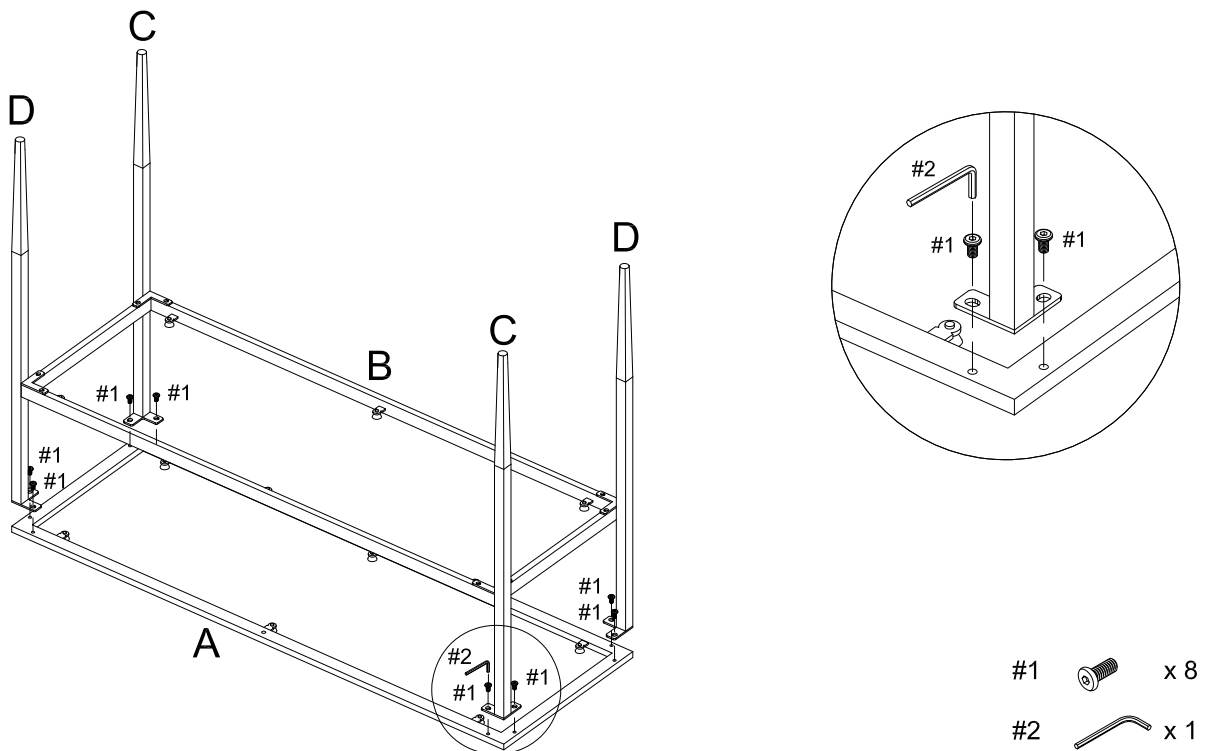
Step 1. Attach C-legs (part C) and D-legs (part D) diagonal to shelf frame (part B) using bolts (part #1) and allen wrench (part #2).

Note: Please do not fully tighten bolts at this time.

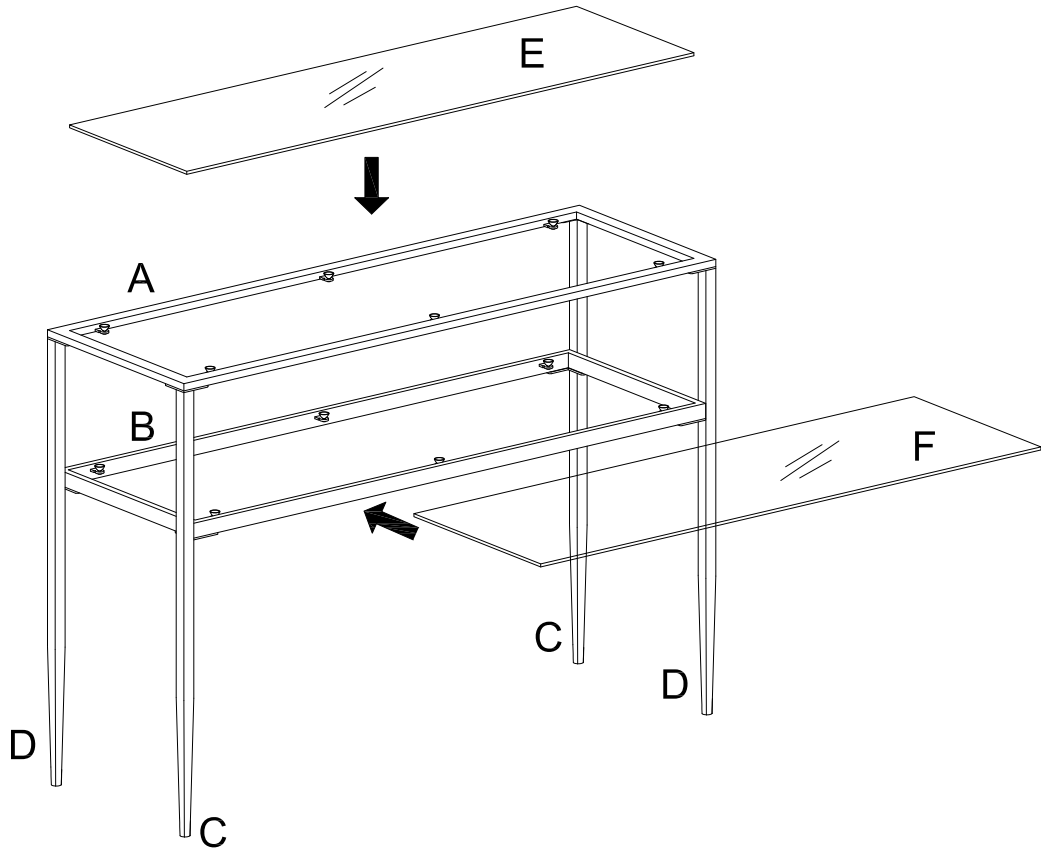



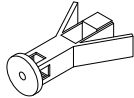




Step 2. Lay top frame (part A) upside down on a flat, soft surface, such as carpet. Attach assembled unit (parts B, C & D) to top frame (part A) using bolts (part #1) and allen wrench (part #2).

Note: Please fully tighten bolts at this time.



Step 3. Carefully turn assembled unit upright. Attach shelf glass (part F) to shelf frame (part B) and top glass (part E) to top frame (part A).



#3	A	B	C	D	E
					
Safety Strap Kit 1 SET	Wall Anchor 1 PC	Hook 2 PCS	Screw 1 PC D8 x 1-1/2"	Bolt 1 PC D10 x 1/2"	Safety Wall Strap 1 PC

## SAFETY WALL STRAP INSTALLATION

Note: It is highly recommended to install this safety strap kit to prevent tipping, damage and/or injury.

1) Insert bolt (D) through hook (B) and attach to predrilled hole in top frame (part A) using a philips head screwdriver.

2) Drill 1 1/32" hole in the wall where this unit will be secured. The drilled hole will be at the same height as the hole in top frame (part A) where hook (B) was attached. Tap wall anchor (A) into the drilled hole.

3) Insert screw (C) through hook (B) into wall anchor (A) using a philips head screwdriver.

4) Insert safety wall strap (E) through both hooks (B) and tighten to secure.

Note: This item is not intended for clothing storage use.

